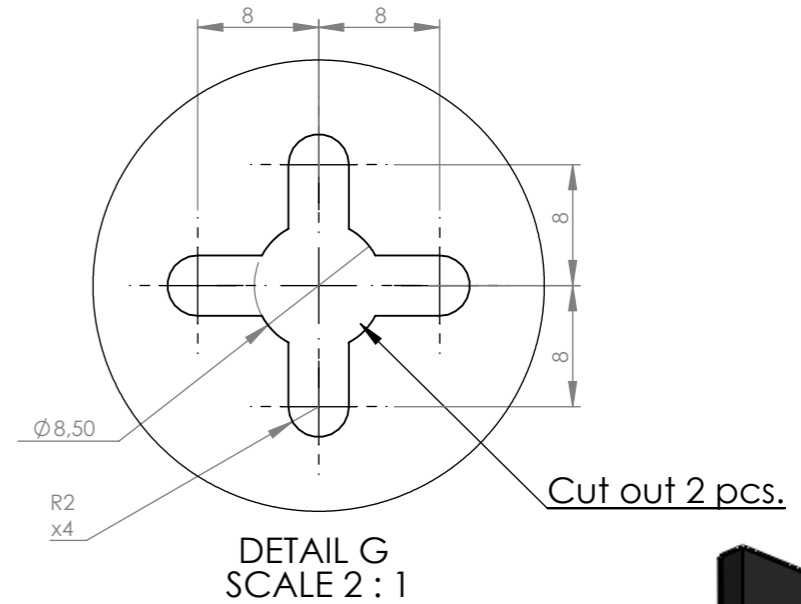
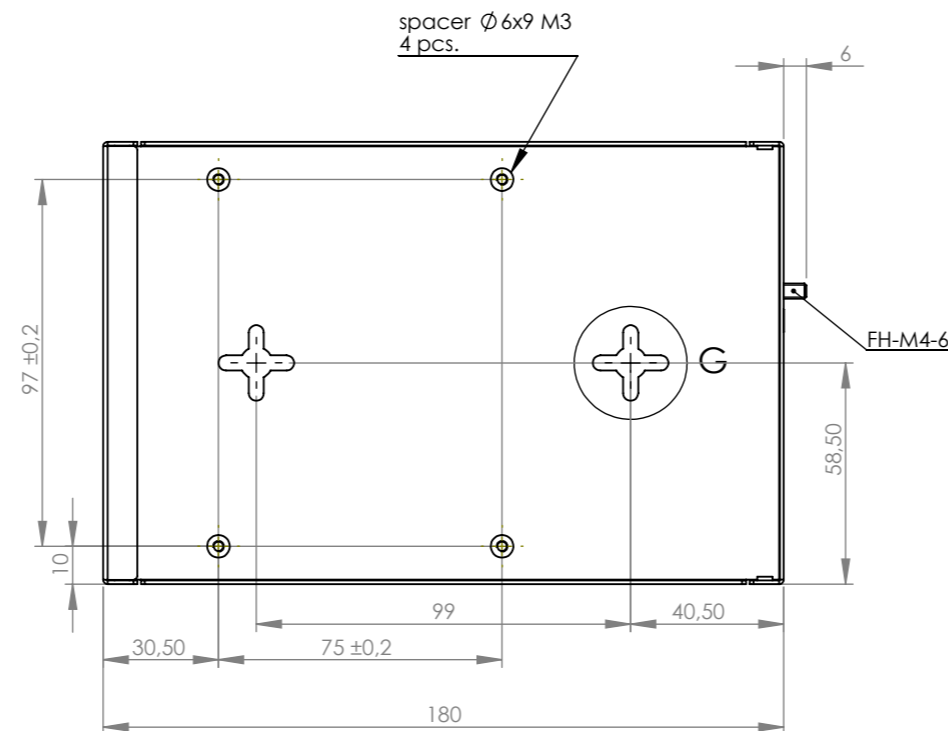
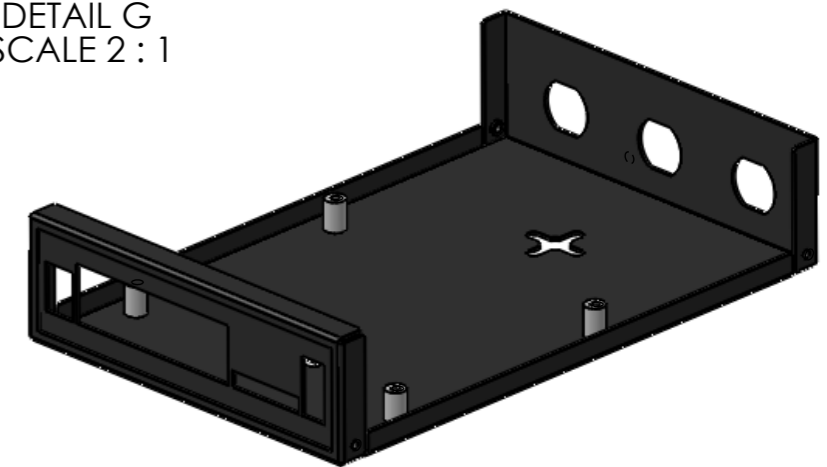


DETAIL F  
SCALE 5 : 1



DETAIL G  
SCALE 2 : 1



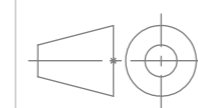
1. Unspecified R ≤ 0.2  
 2. Unspecified tolerances: DIN7168/FINE  
 except p.3:

| Tolerance |      |      |
|-----------|------|------|
| Nominal   | IT12 |      |
| >         | ≤    | IT12 |
| 6         | 30   | 0.1  |
| 30        | 120  | 0.2  |
| 120       | 315  | 0.3  |
| 315       | 1000 | 0.4  |
| 1000      | 2000 | 0.6  |
|           |      | 1.0  |

External: -IT12  
 Internal: +IT12  
 Others: ±IT12/2

3. Hole coordinates with unspecified tolerances  
 Hole pattern  $\Phi \text{ } \square \text{ } \Phi 0,2$  for all coordinative dim-s;  
 countersunks -  $\Phi \text{ } \square \text{ } \Phi 0,1$

Do not scale drawing



Finish:  
black  
anodizing

Scale 1:2

Mass:

Material: AlMg3 5754

Date  
Drawn. 2012.10.16. K. Reimats  
Check.  
Approv.

Name  
Description:  
RB711/411 base



Drawing code:  
RB711-411 base R1

A3

sheet 1 of 1

Part ID: Printed: 2012.10.16.